



OFFICE OF THE SUPERINTENDING ENGINEER

WORKS ESTABLISHMENT SECTION

NATIONAL INSTITUTE OF TECHNOLOGY KARNATAKA, SURATHKAL

POST SRINIVASNAGAR, MANGALURU – 575025 (DK)

Phone: [0824] - 2473029, 2473028

Email: re@nitk.edu.in

Fax: [0824] 2474033

Website: <http://www.nitk.ac.in>

No.55/ Inviting Quotation /18/ 2022-23/DM

Date: 22.08.2022

NOTICE INVITING QUOTATIONS

The National Institute of Technology Karnataka, Surathkal (in short - NITK, Surathkal or Institute) is an autonomous Institute of the Govt. of India [under the Ministry of Education] imparting technical and science education. The Institute intends to “**Providing Concrete benches to the lower ground of new Sports Complex building in NITK**”. In this connection, sealed quotations are invited by the undersigned subject to the terms and conditions enumerated here under from the agencies so as to reach this office on or before **05-09-2022 by 3:00PM**. The quotations shall be opened on the same day if possible.

Sl. No	Description	Quantity	Rate/ Unit ₹	Tax	Amount in ₹
1	Providing and Supplying RCC garden bench made of rich cement concrete (M30), reinforcement with torkari steel structure welded to desired shape and size, along with two layer of chicken mesh, including casting in position, vibrating to required level, curing etc., & 12mm dia 125mm length G.I bolt with steel 12mm doom net, including transportation, painting and design as per drawing enclosed with all lead and lift, as per direction of Engineer incharge.	10 Nos			

Terms and conditions:

1. The sealed quotations duly super scribed on the envelop as quotation for “**Providing Concrete benches to the lower ground of new Sports Complex building in NITK**” and addressed to as “The Superintending Engineer, NITK, Surathkal, Post Srinivasnagar, Mangaluru – 575025” be sent so as to reach this office on or before the due date mentioned.
2. The GST registration number and the PAN number of the bidder shall be mentioned in the quotation. Quotation without this information will not be accepted. The rate quoted shall be valid for 90 days for its acceptance.
3. Quotation may be dropped in the Tender Box kept in the office or may be sent by post/ courier. It is the responsibility of the bidder to make sure that the quotation is delivered in time. The quotations received after the due date will not be entertained.
4. No advance payment will be made. The payment shall be made on after successful completion of work. No interest will be paid for delayed payments if any.
5. The quantity mentioned here is tentative, billing will be done as per actual quantity only.
6. The rate quoted should be firm. No claim for enhancement of rate is admissible after opening of the Quotations.
7. The bidders may visit the site and analyse the nature of work and site conditions and quote the rate accordingly.
8. Terms and conditions stipulated in this Notice inviting conditions are binding on the bidder.
9. The undersigned reserve the right of rejecting all the tenders without assigning any reasons thereof.

Superintending Engineer.

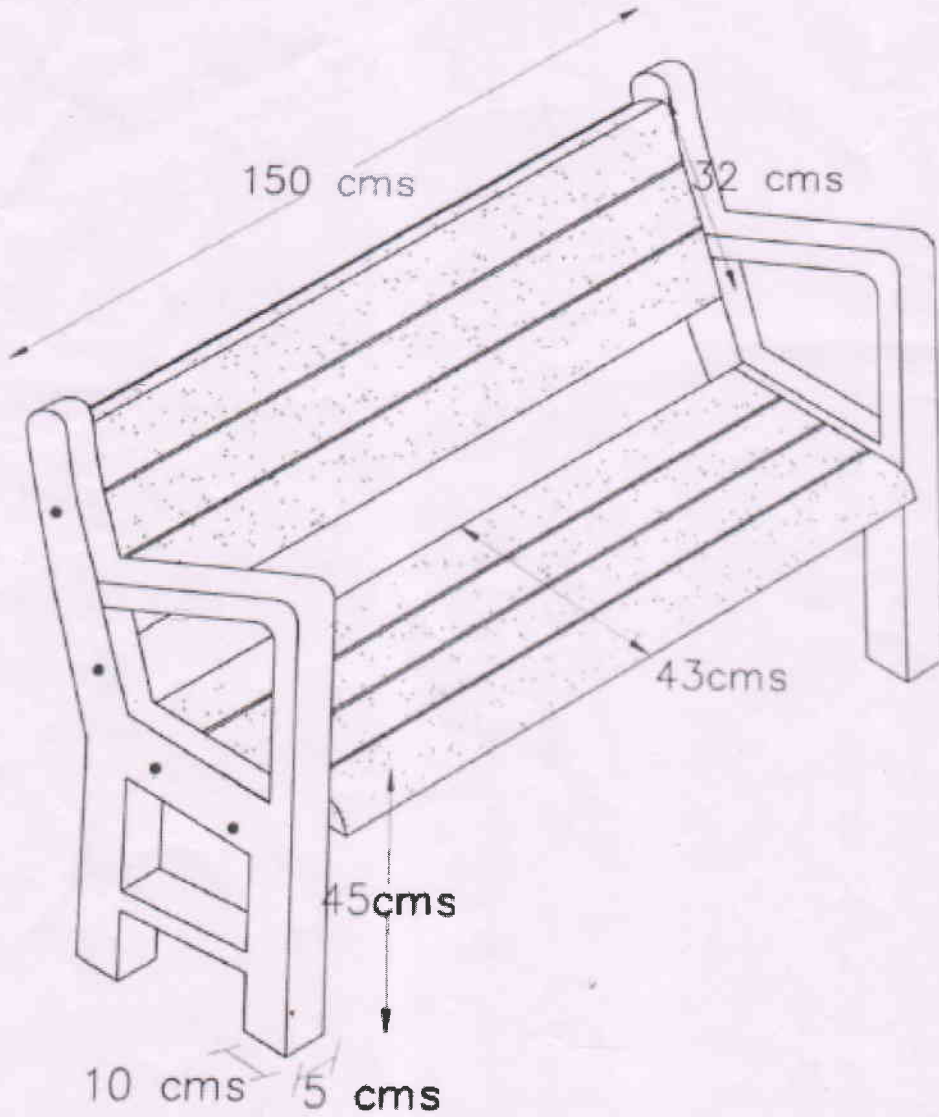
NITK Surathkal

Work Establishment Section

National Institute of Technology Karnataka

575025

Precast RCC garden sofa



Shankar
CE - IV

[Signature]
SUPERINTENDING ENGINEER
Superintending Engineer
Work Establishment Section
National Institute of Technology Karnataka
Suratkal, P.O. Srinivasnagar- 575029